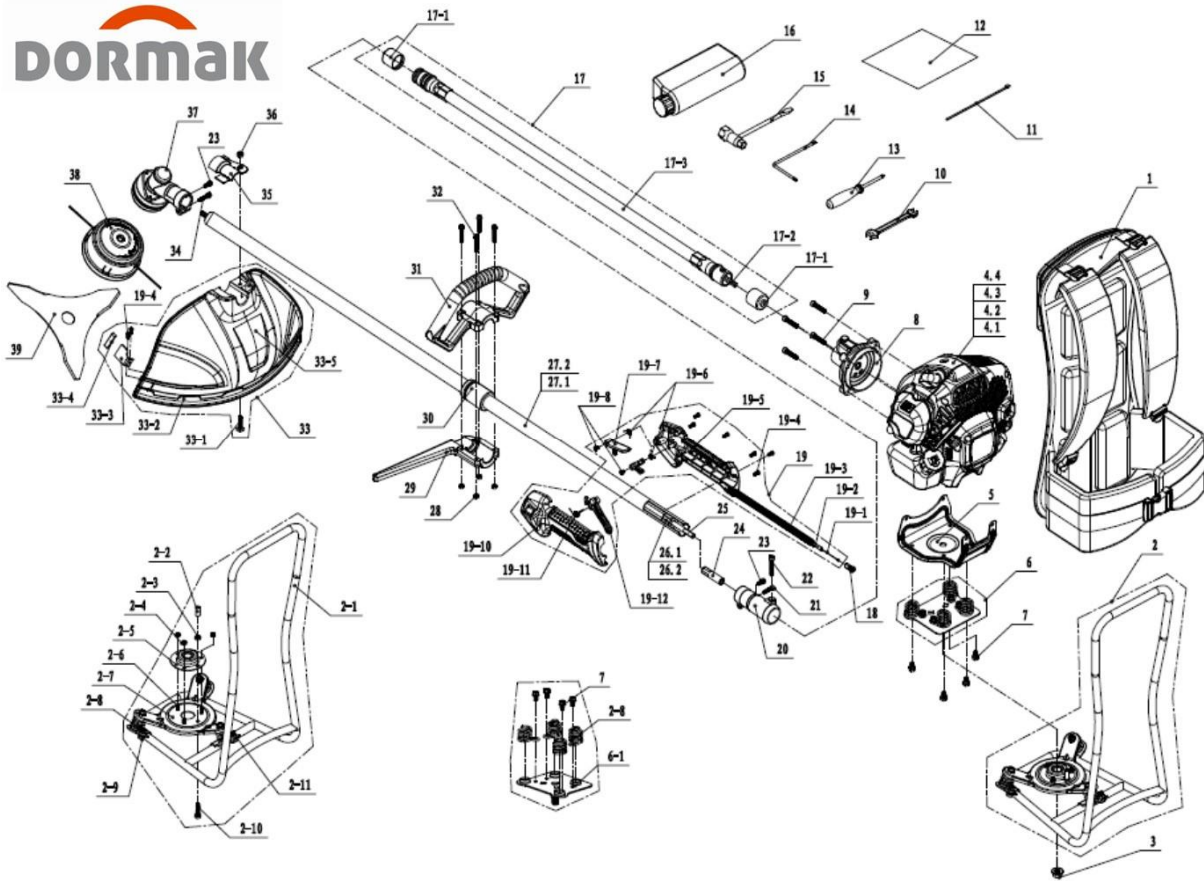


LISTA PEÇAS DO VARÃO DK52BP

DORMAK



Nº	Referência	Descrição da Peça	Qtde	Nº	Referência	Descrição da Peça	Qtde
1	4.000.0092.07	G4305 SHOULDER BELT ASS'Y	1	19-3	4.009.0101.07	G4305 THROTTLE CORD GUARD(P HANDLE)	1
2	4.018.0132.01	G4305 SHOULDER FRAME HOLDER ASS'Y	1	19-4	5.01.02.42093	SCREW ST4.2X9. 5	8
2-1	4.018.0133.01	G4305 SHOULDER FRAME HOLDER	1			G4302 RIGHT HAND SHANK COVER (P HANDLE)	1
2-2	4.013.0021.47	G4305 RUBBER TUBE	1	19-5	3.001.0741.03	G4302 CONTROL ARM SPRING(P HANDLE)	2
2-3	5.02.14.06001	NUT M6	1	19-6	3.001.0211.11	G4302 TRIGGER CONTROL ARM(U HANDLE)	1
2-4	5.02.13.05001	NUT M5	3	19-7	5.01.03.35082	SCREW ST3.5X8	2
2-5	4.018.0143.01	G4305 BRACKET ASSY	1	19-8	3.001.0751.02	G4302 CONTROL ARM BLOCK (P HANDLE)	1
2-6	5.03.10.05121	BOLT M5X12	3	19-9	3.001.0741.04	G4302 LEFT HAND SHANK COVER (P HANDLE)	1
2-7	4.018.0141.01	G4305 SUPPORT PLATE	1	19-10	4.008.0021.09	G4302 TRIGGER SPRING(P HAND LE)	1
2-8	4.013.0011.13	G4305 SPRING	7	19-11	3.001.0201.10	G4302 TRIGGER(P HANDLE)	1
2-9	5.02.1106001	NUT M6	6	20	4.008.0171.55	G4305 CONNECTING SLEEVE	1
2-10	5.03.01.06251	BOLT M6X25	1	21	5.01.06.05183	SCREW M5X18	1
2-11	5.03.09.06141	BOLT M6X14	6	22	5.01.06.06352	SCREW M6X35	1
3	5.02.11.10001	NUT M10	1	23	5.01.07.05132	SCREW M5X13	2
4,4	6.11.010.03	ENGINE 1E44F (EASY START)	1	24	4.008.0171.56	G4305 SQUARE JOINT	1
5	4.007.0151.03	G4305 FUEL TANK BRACKET	1	25	4.008.0171.58	G4305 DRIVE SHAFT	1
6	4.018.0142.01	G4305 ROTATABLE BRACKET ASSY	1	26,1	4.008.0171.06	G4301 RETAINER ASSY	4
6-1	4.018.0143.02	G4305 ROTATABLE BRACKET	1	27,1	4.008.0171.57	G4305 TRANSFER BAR	1
7	5.03.09.06121	BOLT M6X12	8	28	5.02.01.05002	NUT M5	4
8	4.008.0171.51	G4305 CLUTCH COMP.	1	31	4.000.29-30-31	PUNHO MAO CPL P/VARAO DK52BP	1
9	5.01.06.06302	SCREW M6X30	4	32	5.01.07.05322	SCREW M5X32	4
10	4.000.0081.01	8-10 OPEN-ENDED WRENCH	1	33	3.001.0682.02	G4302 SAFETY GUARD ASSY	1
11	7.006.001.001	RIBBON 4X200	3	33-1	5.03.07.06252	SET BOLT M6X25	1
12	7.002.031.001	TOOL BAGS	1	33-2	3.001.0681.04	G4302 SAFETY GUARD PLATE	1
13	4.000.0101.01	SCREW DRIVER	1	33-3	4.021.0112.01	G4302 TWINE KNIFE	1
14	4.000.0021.02	WRENCH	1	33-4	4.021.0112.02	G4302 TWINE KNIFE COVER	1
15	4.000.0013.02	2600 WRENCH	1	33-5	3.001. 0681. 03	G4302 SAFETY GUARD	1
16	4.000.0042.02	1L RATIO POT 2600	1	34	5.01.07.05253	SCREW M5X25	1
17	4.008.0171.52	G4305 PROTECTIVE TUBE ASSY	1				
17,1	4.008.0171.59	G4305 FLEXIBLE SHAFT CAP	2				

17,2	4.008.0171.54	G4305 FLEXIBLE SHAFT	1	35	3.001.0731.04	G4302 PRESSING PLATE	1
17,3	4.008.0171.53	G4305 PROTECTIVE TUBE	1	36	5.02.01.06001	NUT M6	1
18	5.03.05.06001	G4305 BOLT ASSY	1	37	4.000.0092.02	G4301 DRIVER BOX ASSY	1
19	3.001.0702.07	G4305 CONTROL HANDLE ASSY	1	38	4.021.0102.01	G4302 NYLON HEAD	1
19-1	4.008.0032.06	G4305 THROTTLE WIRE COMP.(P HANDLE)	1	39	4.021.0082.02	3 TEETH GRASS CUTTING BLADE	1
19-2	4.009.0031.17	G4305 THROTTLE CORD(P HANDLE)	1				